

SINGER
DSXII

SINGER[®]

Copyright © 1997 SINGER
ALL Right Reserved Throughout the World
SINGER[®] is a registered trademark of SINGER Sewing Company Limited.

List of parts

Sewing Machine

Professional DSX II

Futura 4000N

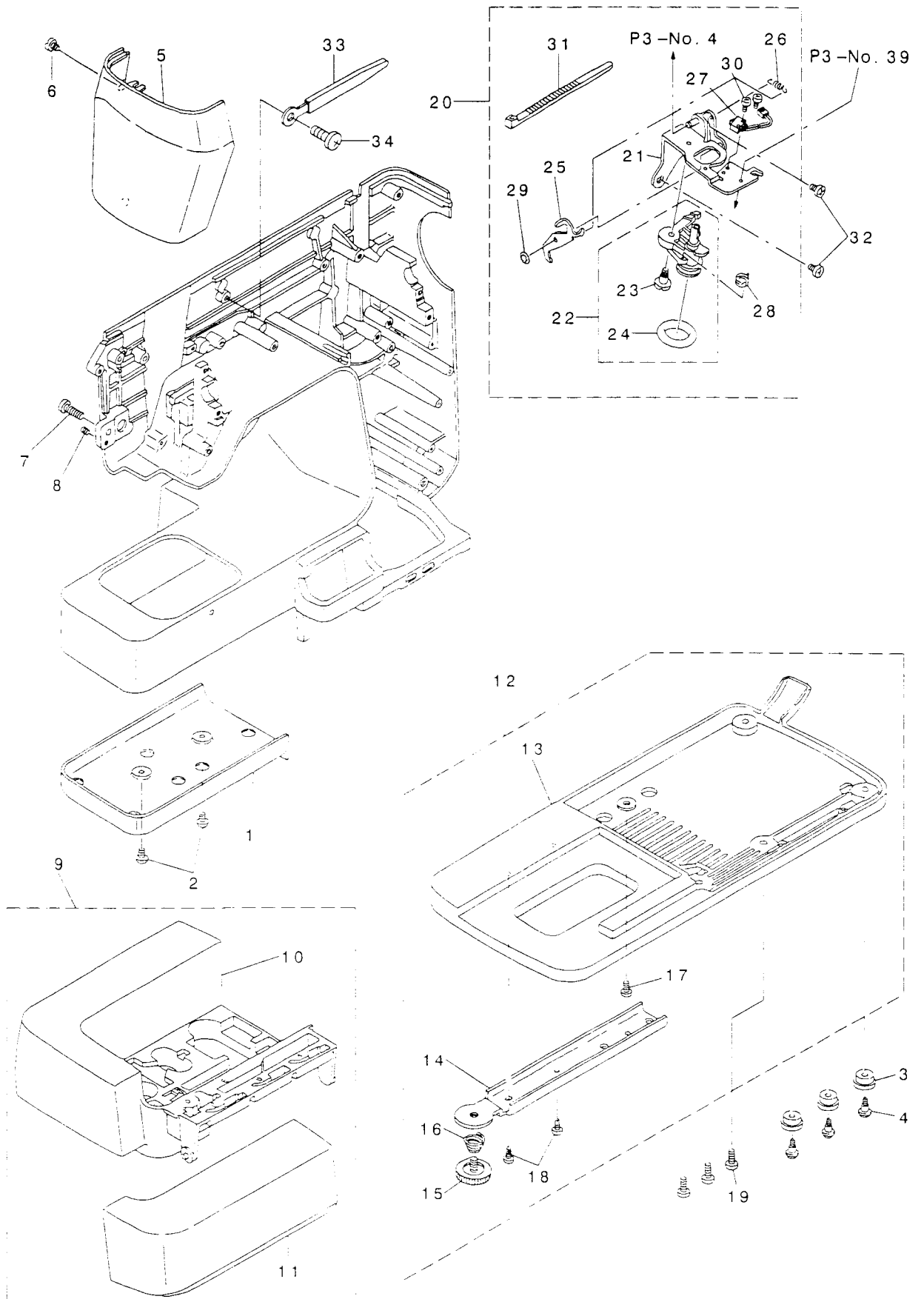
CONTENTS

	Page
1. COVER AND THREAD WINDER COMPONENTS.....	1
2. UPPER COVER, UPPER PLATE AND BASE TENSION COMPONENTS.....	3
3. FRONT PANEL, MICRO COMPUTER CIRCUIT BOARD COMPONENTS.....	5
4. MAIN SHAFT, THREAD TAKE-UP LEVER COMPONENTS.....	7
5. NEEDLE PLATE, HOOK DRIVING SHAFT AND FEED DOG COMPONENTS.....	9
6. NEEDLE BAR, PRESSER BAR AND LAMP COMPONENTS.....	11
7. TENSION RELEASING PLATE AND ONE-STITCH SW. COMPONENTS.....	13
8. THREAD TRIMMER LINK AND OPERATING LEVER COMPONENTS.....	15
9. MOVING KNIFE COMPONENTS.....	17
10. NEEDLE BAR ROCKING STM AND FEED STM COMPONENTS.....	19
11. MOTOR AND POWER CIRCUIT BOARD COMPONENTS.....	21
12. ACCESSORIES PARTS, OPTIONAL PARTS COMPONENTS.....	23

(Remarks)

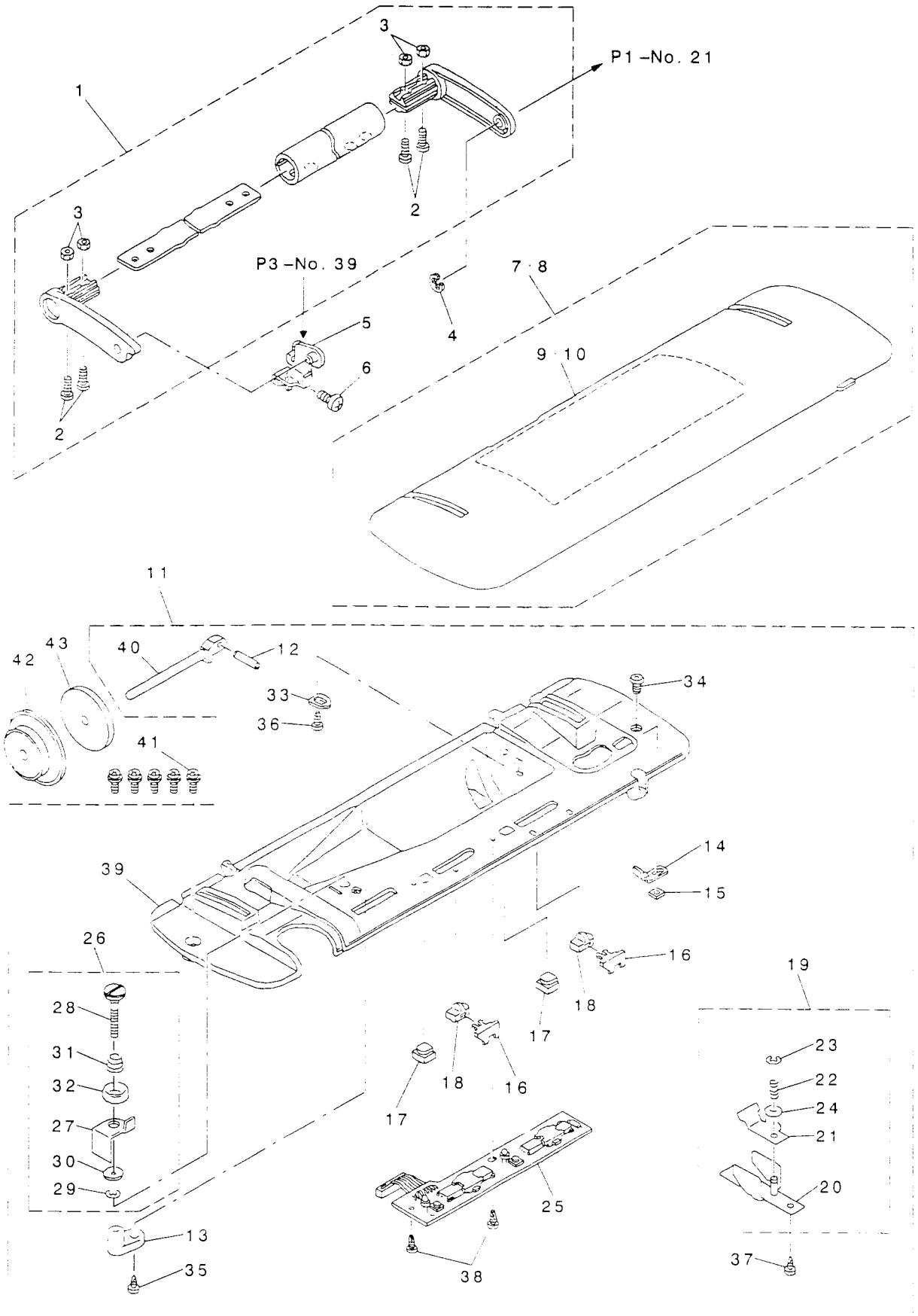
The part which has an asterisk(*) before its part number is not separately available as a spare part so that the accuracy in assembling and smoothness in component investigation are assured. Consequently, please place your order using the part number of assembly containing the part.

I. COVER AND THREAD WINDER COMPONENTS



Ref. No.	Note	Part No.	Part Description	Amt.req.
1		385011	Cylinder bed bottom cover	1
2		283488	Screw	2
3		283029	Rubber washer	3
4		385020	Screw	3
5		386845	Face plate cover	1
6		283257	Screw	1
7		283503	Screw	1
8		385347	Adjuster screw	1
9		386817	Auxiliary bed (asm.)	1
10		385133	Auxiliary bed	(1)
11		386819	Auxiliary bed cover	(1)
12		385018	Bottom cover (asm.)	1
13		385131	Bottom cover	(1)
14		385132	Metal fitting	(1)
15		385129	Screw	(1)
16		385130	Spring	(1)
17		283491	Screw	(1)
18		283522	Screw	(2)
19		283502	Screw	3
20		386867	Bobbin thread winder mounting base (master asm.)	1
21		386866	Bobbin thread winder mounting base (asm.)	(1)
22		385072	Bobbin thread winder base (asm.)	(1)
23		385279	Hinge screw	(1)
24		283308	Rubber ring	(1)
25		385280	Clutch plate	(1)
26		385281	Leaf spring	(1)
27		386868	Winder SW (asm.)	(1)
28		283307	Spring	(1)
29		283304	Lock nut	(1)
30		386926	Screw	(1)
31		283355	Band	(1)
32		283322	Screw	2
33		283322	Cord holder	1
34		385342	Screw	1

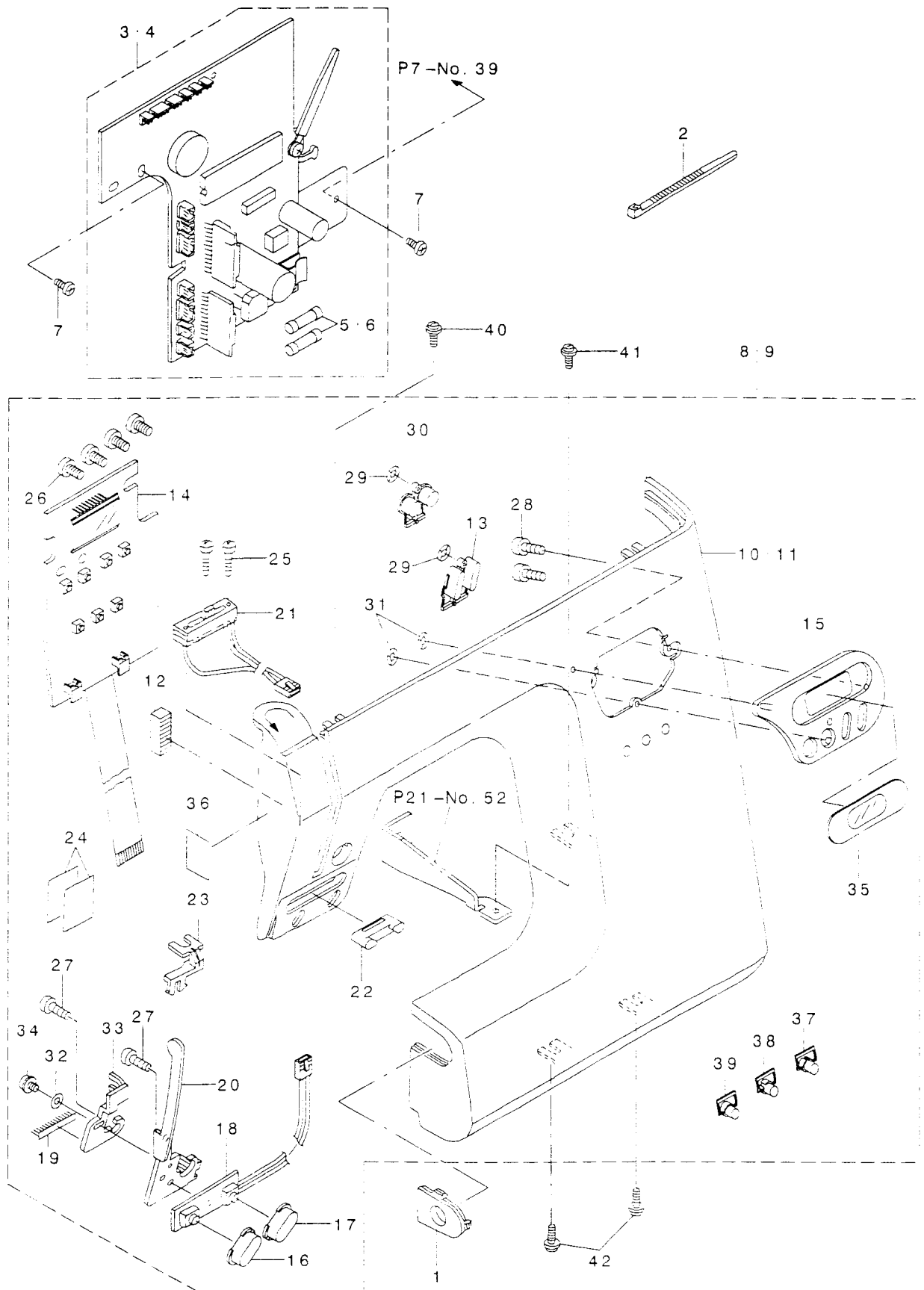
2. UPPER COVER, UPPER PLATE AND BASE TENSION COMPONENTS



Ref. No	Note	Part No	Part Description	Amt req
1		385013	Handle (asm.)	1
2		385341	Screw	(4)
3		283449	Nut	(4)
4		283460	E ring	1
5		385014	Handle retaining plate (asm.)	1
6		283502	Screw	1
7		386813	Upper cover (asm.) (for DSX II)	1
8		386928	Upper cover (asm.) (for Futura4000N)	1
9		386814	Pattern display panel seal (for DSX II)	(1)
10		386929	Pattern display panel seal (for Futura4000N)	(1)
11		386816	Upper plate (asm.)	1
12		385118	Thread spool pin	(1)
13		385121	Thread guide mounting plate	(1)
14		385122	Spool adjuster plate	(1)
15		385123	Bobbin thread amount adjusting plate	(1)
16		385126	Connecting plate	(2)
17		385127	Stitch length adjusting SW	(2)
18		385128	Manual adjusting knob	(2)
19		385115	Base tension (asm.)	(1)
20	*	385114	Base tensioner plate (asm.)	(1)
21	*	385117	Base tensioner plate	(1)
22	*	385119	Spring	(1)
23		283458	E ring	(1)
24		385377	Washer	(1)
25		386881	Manual circuit board (asm.)	(1)
26		385125	Thread guide base (asm.)	(1)
27	*	385124	Thread guide base	(1)
28	*	385282	Thread guide disk shaft	(1)
29	*	283314	Arch-shaped E ring	(1)
30	*	283315	Washer	(1)
31	*	283312	Spring	(1)
32	*	283311	Thread guide disk	(1)
33		385120	Spool pin retaining plate	(1)
34		385340	Screw	(1)
35		283522	Screw	(1)
36		283522	Screw	(1)
37		283522	Screw	(1)
38		283522	Screw	(2)
39		386815	Upper plate	(1)
40		385116	Spool	(1)
41		385340	Screw	5
42		385376	Thread spool cap	1
43		386465	Felt	1

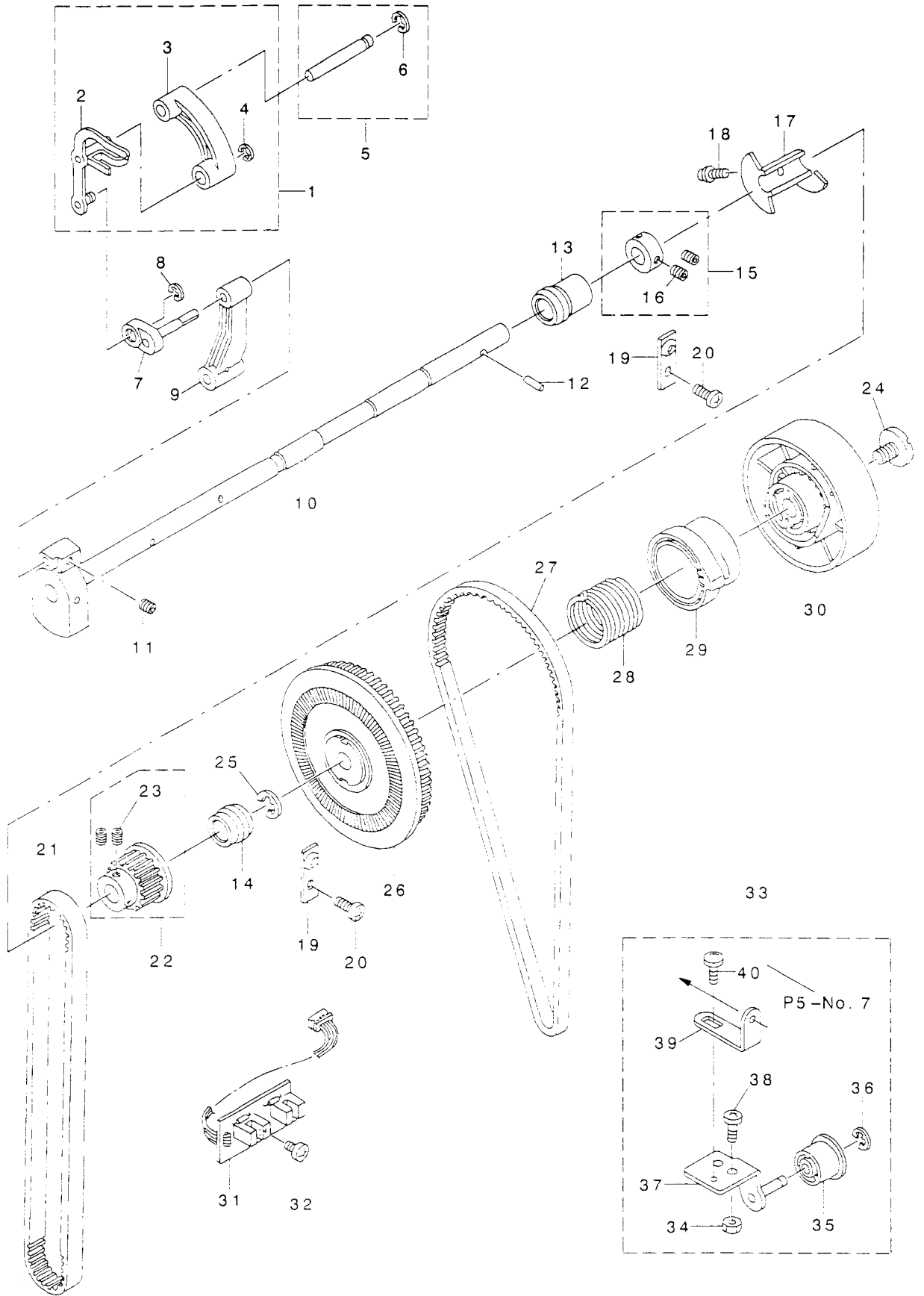
Please refer to Remarks of contents for parts marked with (*)

3. FRONT PANEL, MICRO COMPUTER CIRCUIT BOARD COMPONENTS



Ref. No	Note	Part No	Part Description	Amt.req.
1		385297	Feed dog adjuster cover	1
2		283355	Band	2
3		386893	Micro computer circuit board (asm.) (for 120V)	1
4		386892	Micro computer circuit board (asm.) (for 230V)	1
5		283434	Fuse (3A) (for 120V)	(2)
6		283689	Fuse (3.15A) (for 230V)	(2)
7		283491	Screw	2
8		386873	Front panel (asm.) (for DSX II)	1
9		386810	Front panel (asm.) (for Futura4000N)	1
10		386872	Front panel (for DSX II)	(1)
11		386811	Front panel (for Futura4000N)	(1)
12		386875	Take-up lever cover pile	(1)
13		386874	Pattern selector button	(1)
14		386877	Indicator circuit board (asm)	(1)
15		386882	Display panel	(1)
16		386886	Start stop button	(1)
17		386888	Reverse stitch button	(1)
18		386887	Start stop switch circuit board (asm)	(1)
19		386861	Start stop circuit board pile	(1)
20		386896	Start stop circuit board retaining plate	(1)
21		386905	Slide VR (asm)	(1)
22		386906	Slide VR knob	(1)
23		386907	Slide VR c plate	(1)
24		283335	Switch lead tape	(2)
25		283478	Screw	(2)
26		283522	Screw	(4)
27		283522	Screw	(2)
28		283522	Screw	(2)
29		283334	Push nut	(2)
30		386876	Straight stitch,automatic back tuck SW button	(1)
31		283334	Push nut	(2)
32		386924	Washer	(1)
33		386897	Start stop circuit board retaining plate B	(1)
34		386491	Screw	(1)
35		386884	LCD cover	(1)
36		283616	Lamp caution label	(1)
37		386878	Shift key	(1)
38		386879	Memory key	(1)
39		386880	Clear key	(1)
40		283471	Screw	1
41		283471	Screw	2
42		283471	Screw	1

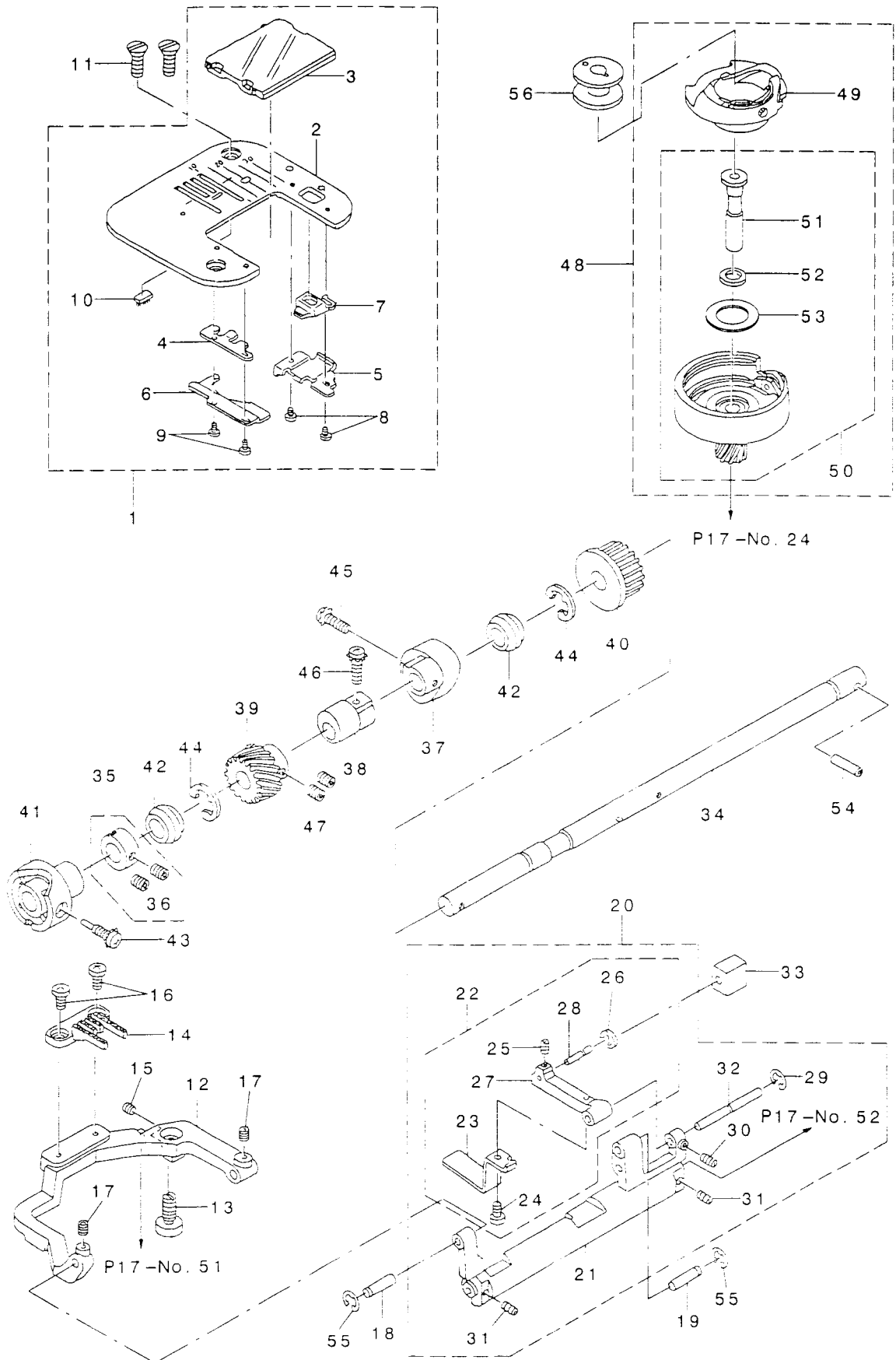
4. MAIN SHAFT, THREAD TAKE-UP LEVER COMPONENTS



Ref. No.	Note	Part No.	Part Description	Amt. req.
1		385057	Thread take-up lever (master asm.)	1
2	*	385223	Thread take-up lever (asm.)	(1)
3	*	385224	Thread take-up support	(1)
4		283459	E ring	(1)
5		385058	Thread take-up lever supporting shaft (asm.)	1
6		283460	E ring	(1)
7		385140	Needle bar crank	1
8		283459	E ring	1
9		385143	Needle bar crank rod	1
10		385378	Main shaft (asm.)	1
11		386927	Screw	1
12		386779	Pin	1
13		386820	Main shaft bushing (front)	1
14		385139	Main shaft bushing (rear)	1
15		283044	Main shaft thrust collar (asm.)	1
16		283511	Screw	(2)
17		385138	Main shaft detector shielding plate	1
18		283471	Screw	1
19		385355	Main shaft bushing receiving plate	2
20		283502	Screw	2
21		385092	Timing belt (large)	1
22		385024	Main shaft pulley (asm.)	1
23		283511	Screw	(2)
24		283054	Screw	1
25		385379	E ring	1
26		385026	Motor pulley	1
27		385093	Motor belt	1
28		283057	Clutch spring	1
29		385027	Clutch spring holder	1
30		385025	Handwheel	1
31		386891	Main shaft detector circuit board (asm.)	1
32		385342	Screw	1
33		386917	Idler (master asm.)	1
34		283459	Nut	(1)
35	*	385329	Idler	(1)
36		283460	E ring	(1)
37	*	386916	Idler (asm.)	(1)
38		385343	Screw	(1)
39		386885	Micro com. circuit board retaining plate	(1)
40		283491	Screw	(1)

Please refer to Remarks of contents for parts marked with (*)

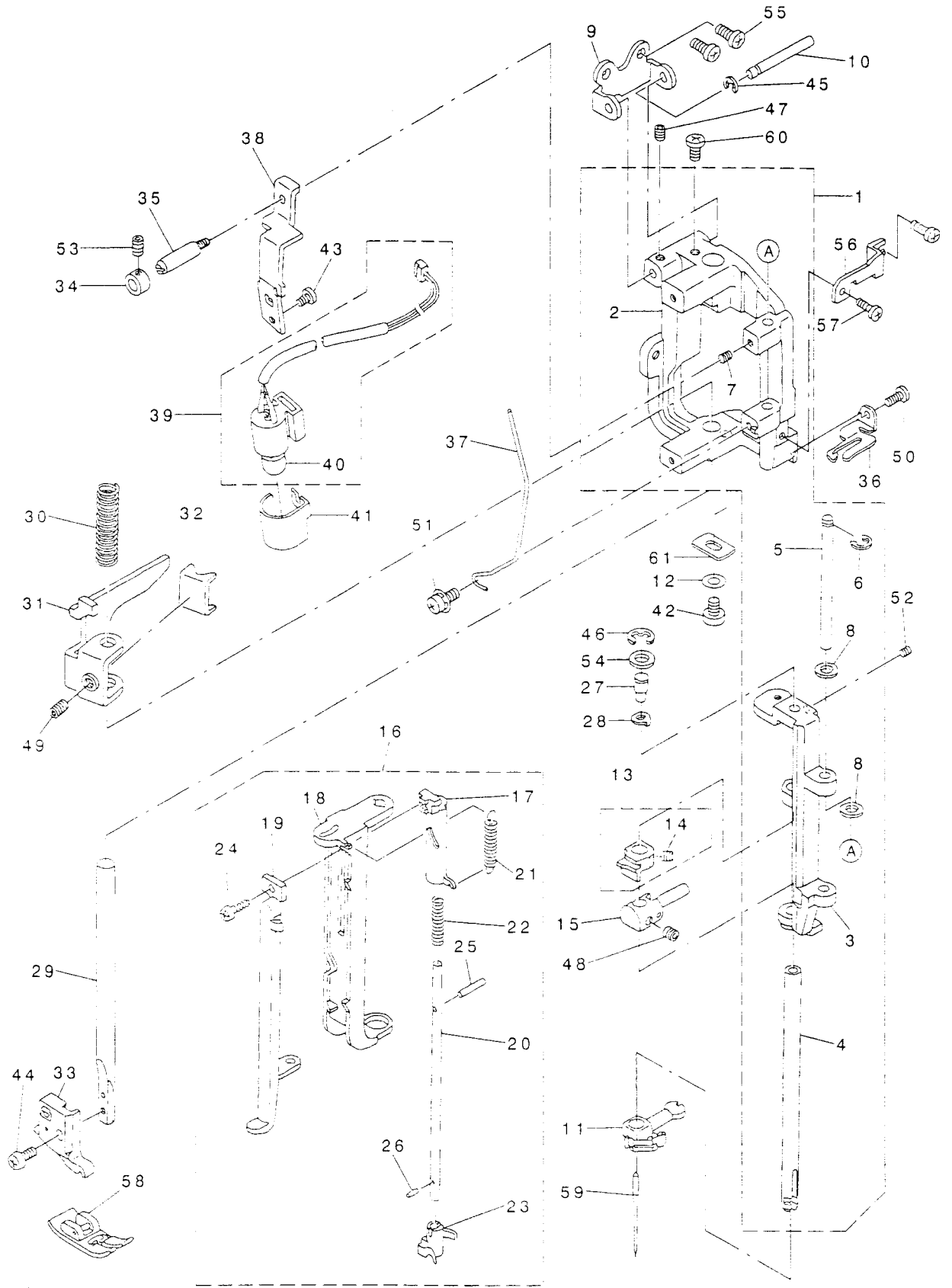
5. NEEDLE PLATE, HOOK DRIVING SHAFT AND FEED DOG COMPONENTS



Ref. No	Note	Part No	Part Description	Amt.req
1		385012	Needle plate (asm.)	1
2		385105	Needle plate	(1)
3		385106	Hook cover	(1)
4	*	385107	Hook cover installing base (left)	(1)
5	*	385108	Hook cover installing base (right)	(1)
6	*	385109	Bobbin case holder (left)	(1)
7	*	385110	Hook cover open/close button	(1)
8		385335	Screw	(2)
9		385336	Screw	(2)
10		385111	Needle plate pile	(1)
11		283477	Screw	2
12		385169	Feed bar	1
13		385173	Feed regulator shaft	1
14		385187	Feed dog	1
15		283505	Screw	1
16		283491	Screw	2
17		386522	Screw	2
18		385170	Feed rock shaft (left)	1
19		385172	Feed rock shaft (right)	1
20		385075	Feed bar (asm.)	1
21	*	385074	Feed bar	(1)
22	*	385077	Feed rock shaft crank (asm.)	(1)
23	*	385078	Spring	(1)
24		283491	Screw	(1)
25		386522	Screw	(1)
26		283459	E ring	(1)
27	*	385176	Feed rock shaft crank	(1)
28	*	385180	Slide block shaft	(1)
29		283460	E ring	(1)
30		386522	Screw	(1)
31		386522	Screw	(2)
32		385170	Feed rock shaft	(1)
33		385183	Slide block	1
34		385206	Hook driving shaft	1
35		385137	Thrust collar (asm.)	1
36		283511	Screw	(2)
37		385171	Feed rock cam	1
38		385198	Lateral feed cam	1
39		385385	Hook driving gear	1
40		385208	Hook driving shaft pulley	1
41		385235	Thread trimmer cam	1
42		283186	Hook driving shaft bushing	2
43		283048	Screw	1
44		283463	E ring	2
45		283473	Screw	1
46		283473	Screw	1
47		283511	Screw	2
48		386831	Hook (asm.)	1
49		386832	Inter-hook (asm.)	(1)
50		386830	Outer-hook (asm.)	(1)
51		386215	Hook shaft	(1)
52		385352	Washer	(1)
53		386228	Rubber magnet	(1)
54		385332	Pin	1
55		283459	E ring	2
56		386466	Bobbin	1

Please refer to Remarks of contents for parts marked with (*)

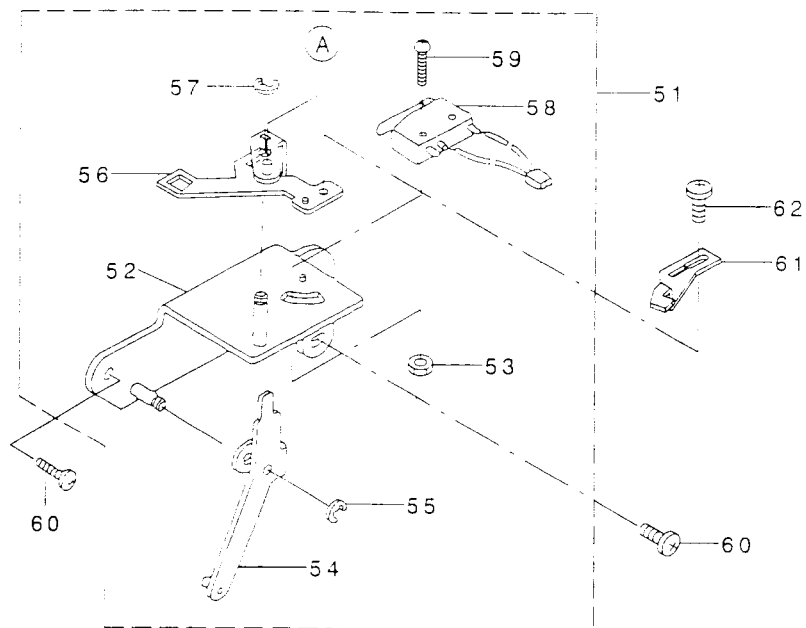
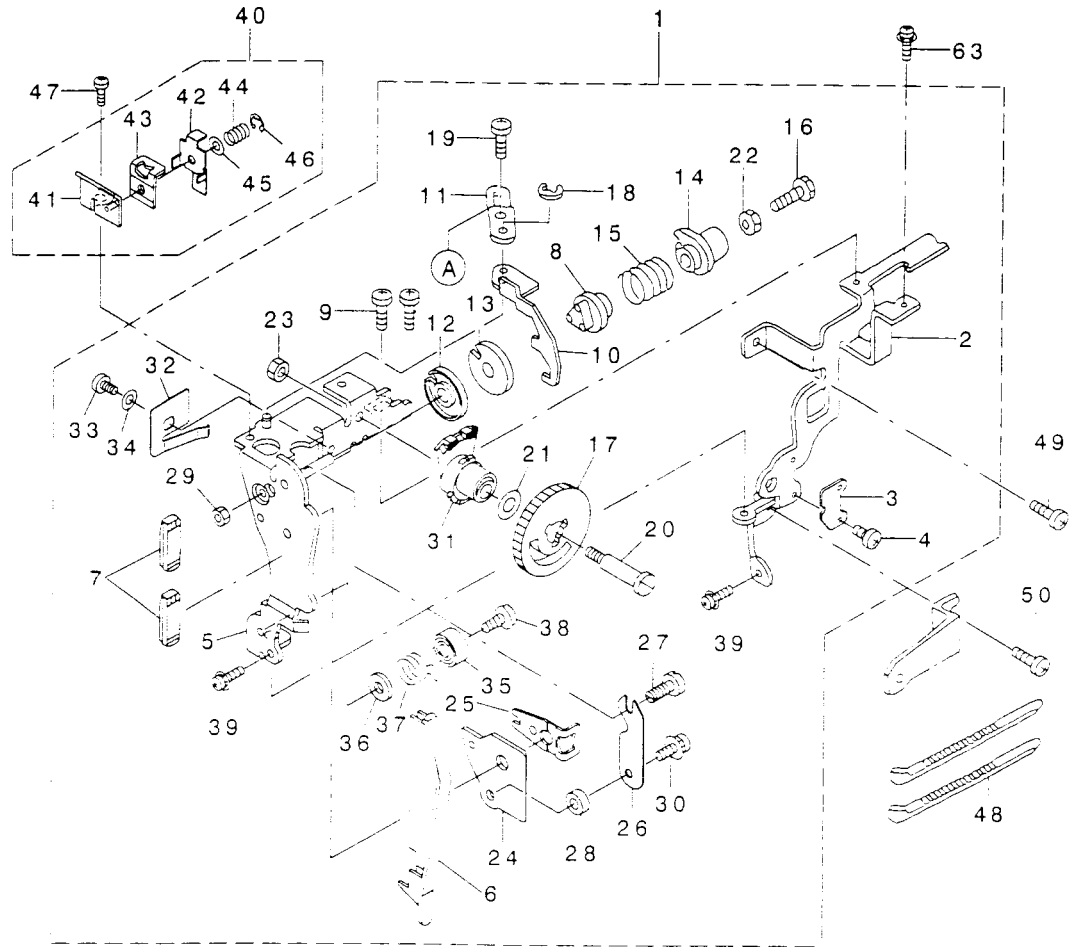
6. NEEDLE BAR, PRESSER BAR AND LAMP COMPONENTS



Ref. No.	Note	Part No	Part Description	Amt req.
1		385031	Needle bar rocking mounting base (asm.)	1
2	*	386821	Needle bar rocking mounting base	(1)
3	*	385146	Needle bar rocking	(1)
4		385387	Needle bar (asm.)	(1)
5	*	385147	Needle bar rocking shaft	(1)
6		283460	E ring	(1)
7		283506	Screw	(1)
8		283528	Washer	(2)
9		385141	STM support	1
10		385142	STM support shaft	1
11		283060	Needle clamp (asm.)	1
12		385350	Washer	1
13		385033	Needle bar thread guide (asm.)	1
14		283506	Screw	(1)
15		385034	Needle bar connecting bracket (asm.)	1
16		385035	Needle threader guide (asm.)	1
17	*	385149	Thread guide cylinder	(1)
18	*	385150	Needle threader guide	(1)
19	*	385151	Needle threader	(1)
20	*	385153	Shaft	(1)
21		385154	Spring	(1)
22	*	385155	Spring	(1)
23		283075	Needle threader hook holder (asm.)	(1)
24		385348	Screw	(1)
25	*	283456	Pin (large)	(1)
26	*	283454	Pin (small)	(1)
27		385152	Pin	1
28		385230	Spring	1
29		385159	Presser bar	1
30		385160	Presser spring	1
31		385161	Presser bar position bracket	1
32		385162	Presser bar holder	1
33		385042	Presser holder (asm.)	1
34		385233	Collar	1
35		385234	Shaft A	1
36		385253	Needle bar thread guide	1
37		386862	Needle thread guide bar	1
38		386871	Light attaching plate	1
39		386870	Light socket (asm.)	1
40		283318	Light bulb	(1)
41		385284	Light cover	1
42		283517	Screw	1
43		283486	Screw	1
44		283105	Screw	1
45		283459	E ring	1
46		283460	E ring	1
47		283511	Screw	1
48		385346	Screw	1
49		283515	Screw	1
50		283491	Screw	1
51		283470	Screw	1
52		283506	Screw	1
53		283506	Screw	1
54		283530	Washer	1
55		283502	Screw	2
56		386822	Guide plate	1
57		283491	Screw	1
58		385043	Presser foot (asm.)	1
59	*	283405	Needle 2020.90/14	1
60		385342	Screw	1
61		386823	Stopper plate	1

Please refer to Remarks of contents for parts marked with (*)

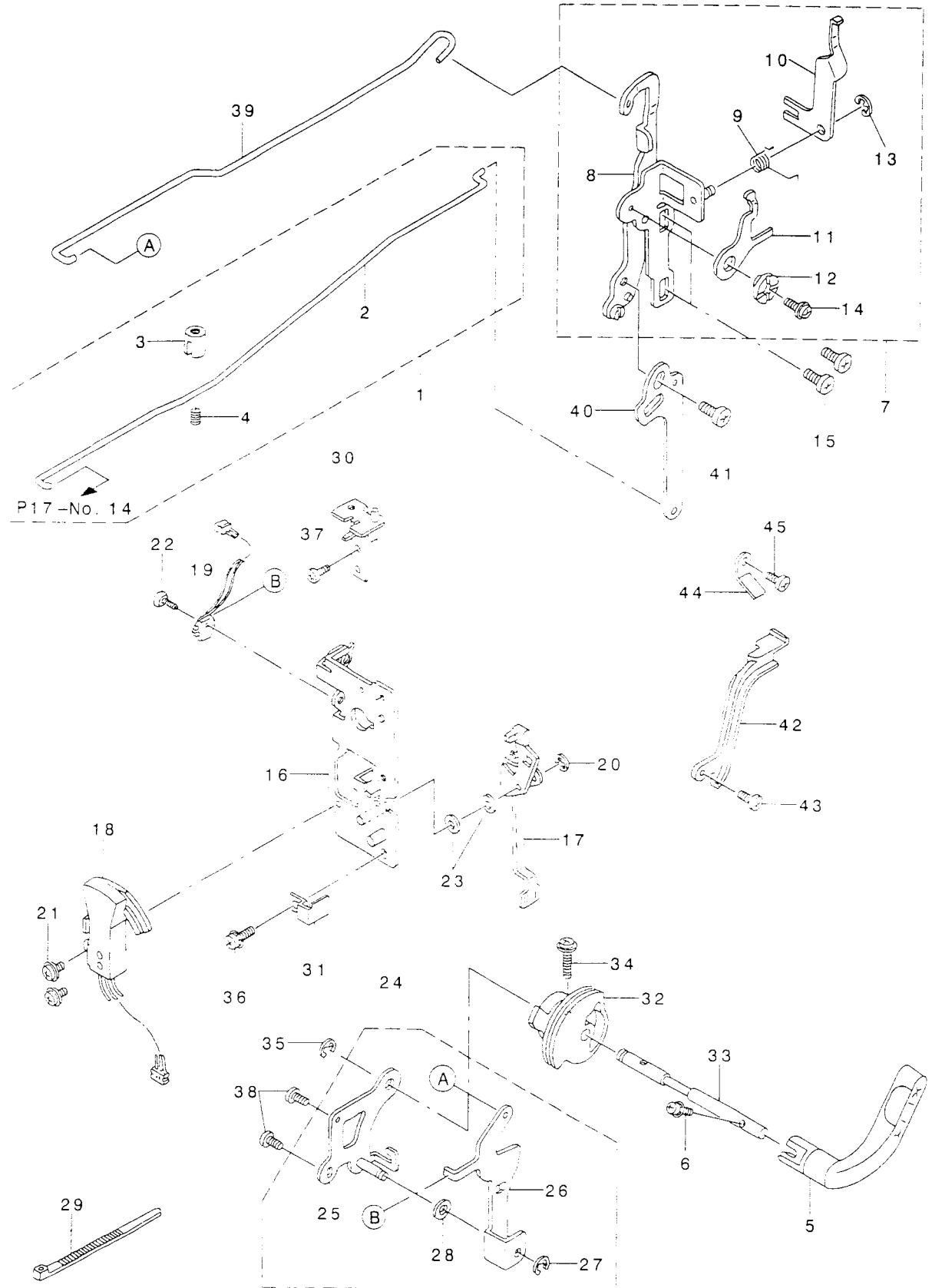
7. TENSION RELEASING PLATE AND ONE-STITCH SW. COMPONENTS



Ref. No.	Note	Part No.	Part Description	Amt req.
1		386825	Operating lever shaft receiver plate (asm.)	1
2		385164	Operating lever shaft receiver plate	(1)
3		385166	Operating lever stopper plate	(1)
4		283491	Screw	(1)
5		386859	Face plate (asm.)	(1)
6		386860	Face plate cover	(1)
7		386861	Face plate pile	(2)
8		385260	Tension spring base A	(1)
9		283470	Screw	(2)
10		386863	Tension disk releasing plate	(1)
11		385266	Adjuster plate	(1)
12		385267	Tension disk A	(1)
13		385268	Tension disk B	(1)
14		385269	Tension spring base B	(1)
15		386864	Tension spring	(1)
16		385271	Screw	(1)
17		386865	Tension knob	(1)
18		283459	E ring	(1)
19		385337	Screw	(1)
20		385274	Tension knob shaft	(1)
21		385275	Wave washer	(1)
22		385276	Nut	(1)
23		385277	Nut	(1)
24		386855	2nd tension base plate	(1)
25		386848	2nd tension disk	(1)
26		386849	2nd tension spring	(1)
27		386847	Screw	(1)
28		386850	Collar	(1)
29		386921	Nut	(1)
30		283471	Screw	(1)
31		386851	Tension cam	(1)
32		386852	Tension knob spring	(1)
33		283486	Screw	(1)
34		283526	Washer	(1)
35		385255	Spring holder	(1)
36		385256	Washer	(1)
37		385254	Thread take-up spring	(1)
38		385340	Screw	(1)
39		283471	Screw	(2)
40		386857	Pre-tension (master asm.)	1
41	*	386856	Pre-tension disk left (asm.)	(1)
42	*	386854	Pre-tension lever	(1)
43	*	386855	Pre-tension disk right	(1)
44	*	386858	Pre-tension spring	(1)
45		385377	Washer	(1)
46		283458	E ring	(1)
47		283486	Screw	1
48		283355	Band	3
49		283502	Screw	1
50		385344	Screw	1
51		386840	Tension release supporting plate (master asm.)	1
52		385061	Tension release supporting plate (asm.)	(1)
53		283217	Nut	(1)
54		385231	Tension disk releasing contact (asm.)	(1)
55		283459	E ring	(1)
56		386842	Tension disk releasing link plate (asm.)	(1)
57		283459	E ring	(1)
58		386846	One-stitch SW (asm.)	(1)
59		283485	Screw	(1)
60		385342	Screw	2
61		386841	Tension disk releasing link adjuster plate	1
62		283488	Screw	1
63		283469	Screw	1

Please refer to Remarks of contents for parts marked with (*)

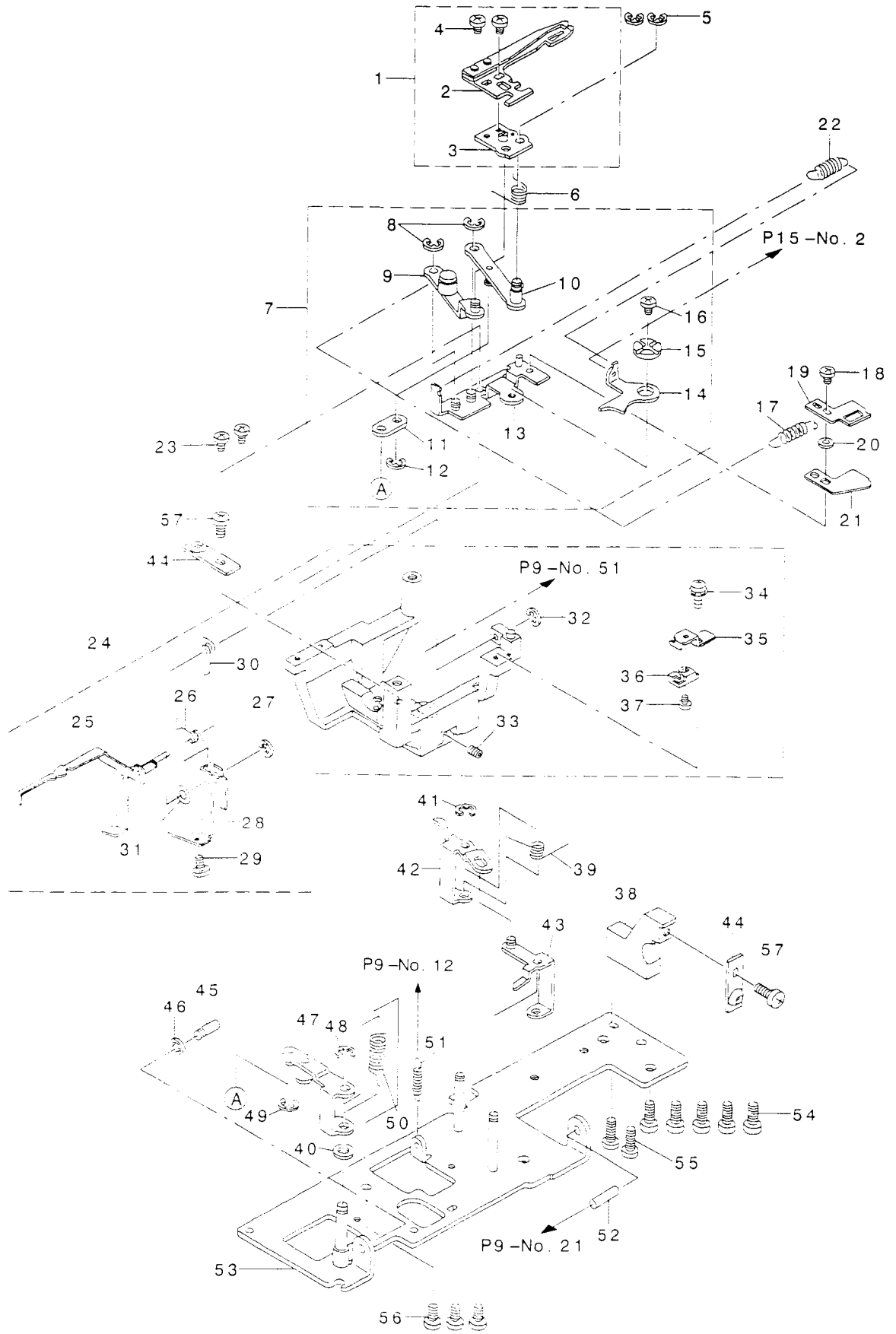
8. THREAD TRIMMER LINK AND OPERATING LEVER COMPONENTS



Ref. No.	Note	Part No.	Part Description	Amt req.
1		385066	Knife selector lower link (asm.)	1
2		385243	Knife selector lower link	(1)
3		385201	Looper link pin	(1)
4		283511	Screw	(1)
5		386824	Operating lever	1
6		283473	Screw	1
7		386844	Thread trimmer link attaching plate (asm.)	1
8	*	385067	Thread trimmer link attaching plate (asm.)	(1)
9	*	385245	Thread trimmer clutch plate spring	(1)
10	*	385248	Thread trimmer clutch plate	(1)
11	*	385247	Thread trimmer clutch plate link	(1)
12	*	385246	Thread trimmer clutch plate link collar	(1)
13		283459	E ring	(1)
14		283471	Screw	(1)
15		283502	Screw	2
16		385144	Needle bar rocking STM mounting base (asm.)	1
17		283228	BH selector plate (asm.)	1
18		386843	BH switch base (asm.)	1
19		386869	Thread trimmer SW (asm.)	1
20		283460	E ring	1
21		283470	Screw	2
22		283485	Screw	1
23		283528	Washer	2
24		385041	Operating lever cam retaining plate (master asm.)	1
25	*	385165	Operating lever cam retaining plate (asm.)	(1)
26	*	385251	Thread trimmer actuating contact	(1)
27		283459	E ring	(1)
28		283527	Washer	(1)
29		283355	Band	4
30		385036	Thread regulator shaft mounting plate (asm.)	1
31		385156	Thread guide frame guide plate	1
32		385038	Operating lever cam	1
33		385163	Operating lever shaft	1
34		283098	Screw	1
35		283460	E ring	1
36		283471	Screw	1
37		283491	Screw	1
38		283491	Screw	2
39		385244	Knife selector upper link	1
40		385252	Thread trimmer link adjuster plate	1
41		283502	Screw	1
42		385102	Lifter hole lid	1
43		283491	Screw	1
44		385103	Metal fitting	1
45		283488	Screw	1

Please refer to Remarks of contents for parts marked with (*)

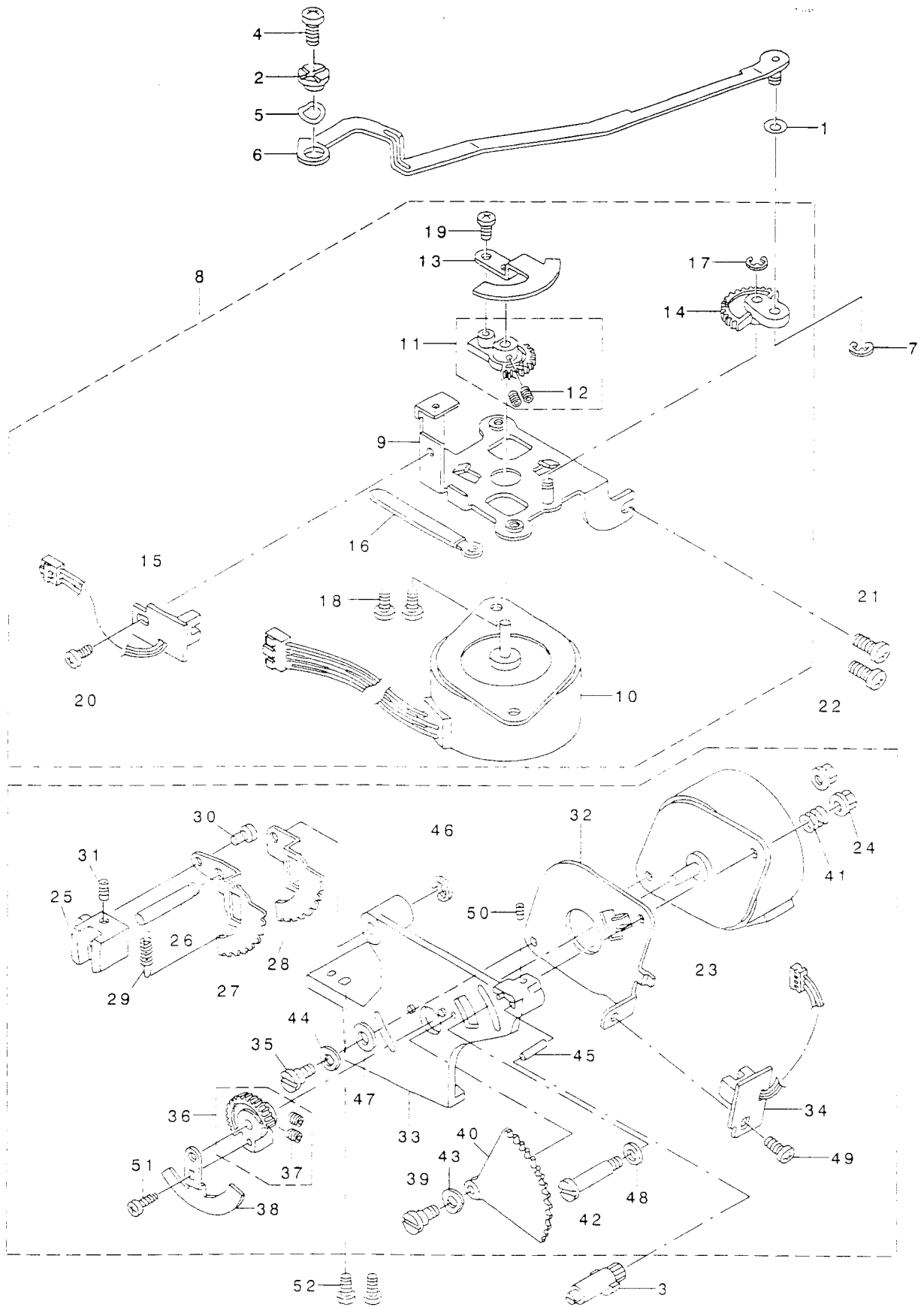
9 MOVING KNIFE COMPONENTS



Ref. No	Note	Part No	Part Description	Amt.req
1		386835	Moving knife (master asm.)	1
2	*	386834	Moving knife (asm.)	(1)
3	*	385216	Moving knife attaching plate (asm.)	(1)
4	*	283486	Screw	(2)
5		283459	E ring	2
6		385220	Spring	1
7		385064	Knife removing plate attaching plate (asm.)	1
8	*	283459	E ring	(2)
9	*	385222	Moving knife link B (asm.)	(1)
10	*	385221	Moving knife link A (asm.)	(1)
11	*	385236	Knife drive link connecting plate	(1)
12		283459	E ring	(1)
13	*	385239	Knife removing plate attaching plate (asm.)	(1)
14	*	385241	Knife removing	(1)
15	*	283246	Knife removing plate collar	(1)
16		385389	Screw	(1)
17		385237	Moving knife lifting preventing spring	1
18		385389	Screw	1
19		385217	Guide plate (upper)	1
20		385219	Collar	1
21		386836	Guide plate (lower)	1
22		385242	Spring	1
23		283487	Screw	2
24		386833	Hook installing base (asm.)	1
25		386829	Looper (asm.)	(1)
26		385202	Spring	(1)
27		283458	E ring	(1)
28		385199	Looper adjusting plate	(1)
29		283486	Adjuster screw	(1)
30		385200	Spring	(1)
31		385349	Washer	(1)
32		283458	E ring	(1)
33		283511	Screw	(1)
34		283470	Screw	(1)
35		385211	Inter-hook holding plate	(1)
36		385212	Inter-hook holding plate spring	(1)
37		385335	Screw	(1)
38		385136	Hook driving shaft holder	1
39		385205	Spring	1
40		283528	Washer	1
41		283459	E ring	1
42		385203	Looper link plate	1
43		385204	Looper link plate contact (asm.)	1
44		283187	Bushing receiving plate	2
45		385167	Feed rock shaft (left)	1
46		283459	E ring	1
47		385238	Knife driving link (asm.)	1
48		283460	E ring	1
49		283459	E ring	1
50		385240	Spring	1
51		385047	Spring	1
52		385168	Feed rock shaft (right)	1
53		385135	Cylinder bed component cradle	1
54		283502	Screw	5
55		283502	Screw	2
56		283502	Screw	3
57		283502	Screw	2

Please refer to Remarks of contents for parts marked with (*)

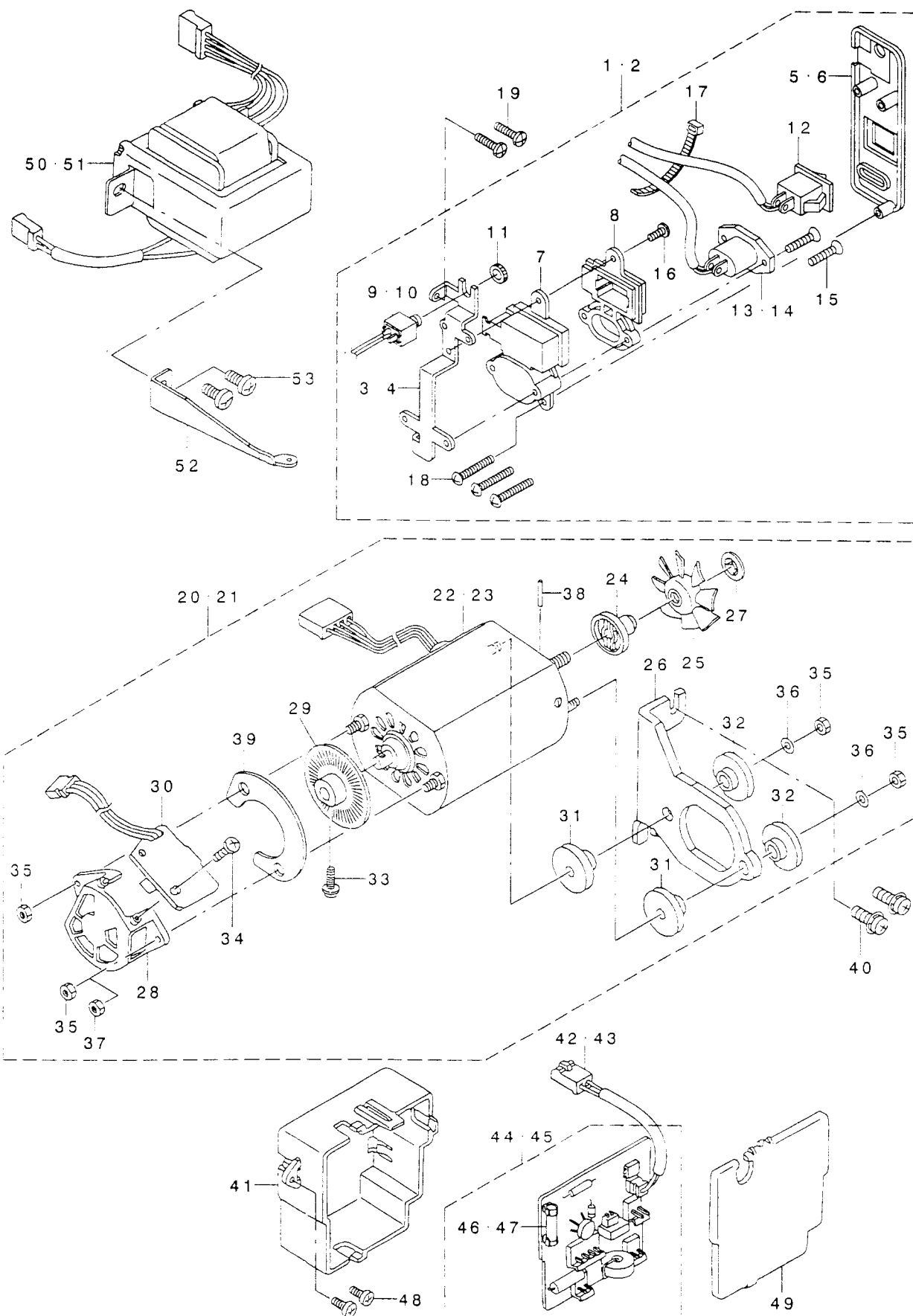
10. NEEDLE BAR ROCKING STM AND FEED STM COMPONENTS



Ref No	Note	Part No	Part Description	Amt.req
1		385157	Spring washer	1
2		385158	Needle position adjusting collar	1
3		385194	Feed regulator gear (B)	1
4		283493	Screw	1
5		283216	Washer (needle entry point)	1
6		385037	Needle bar rocking cam (asm.)	1
7		283459	E ring	1
8		386837	Needle bar rocking STM mounting base (master asm.)	1
9	*	385225	Needle bar rocking STM mounting base (asm.)	(1)
10	*	386838	Needle bar rocking STM (asm.)	(1)
11	*	385227	Needle bar rocking STM gear (asm.)	(1)
12	*	283506	Screw	(2)
13	*	385228	Shielding plate	(1)
14	*	385229	Needle bar rocking STM link gear	(1)
15		386839	Needle bar rocking detector circuit board (asm.)	(1)
16	*	283322	Cord holder	(1)
17		283459	E ring	(1)
18	*	283502	Mounting screw	(2)
19		283522	Screw	(1)
20		283491	Screw	(1)
21		283502	Screw	2
22		386828	Feed STM (master asm.)	1
23	*	386827	Feed STM (asm.)	(1)
24	*	283448	Nut	(2)
25	*	385182	Feed regulator	(1)
26	*	385181	Feed regulator shaft	(1)
27	*	385184	Feed regulator gear (A)	(1)
28	*	385185	Feed regulator gear (B)	(1)
29	*	385186	Spring	(1)
30	*	283491	Screw	(1)
31	*	283511	Screw	(1)
32	*	385188	Feed STM regulator plate	(1)
33	*	385189	Feed STM mounting base	(1)
34		386826	Feed detector circuit board (asm.)	(1)
35	*	385190	Hinge screw	(1)
36	*	385049	Feed STM gear (asm.)	(1)
37	*	283506	Screw	(2)
38	*	385191	Shielding plate	(1)
39	*	385192	Feed adjusting gear (A) shaft	(1)
40	*	385193	Feed adjusting gear (A)	(1)
41	*	385195	Spring	(1)
42	*	385196	Hinge screw	(1)
43	*	385157	Spring washer	(1)
44	*	283215	Spring washer	(1)
45		385331	Feed regulator gear (B) shaft	(1)
46	*	283460	E ring	(1)
47	*	385352	Washer (A)	(1)
48	*	385351	Washer (B)	(1)
49		283491	Screw	(1)
50		386522	Screw	(1)
51	*	283522	Screw	(1)
52		283502	Screw	2

Please refer to Remarks of contents for parts marked with (*)

11. MOTOR AND POWER CIRCUIT BOARD COMPONENTS

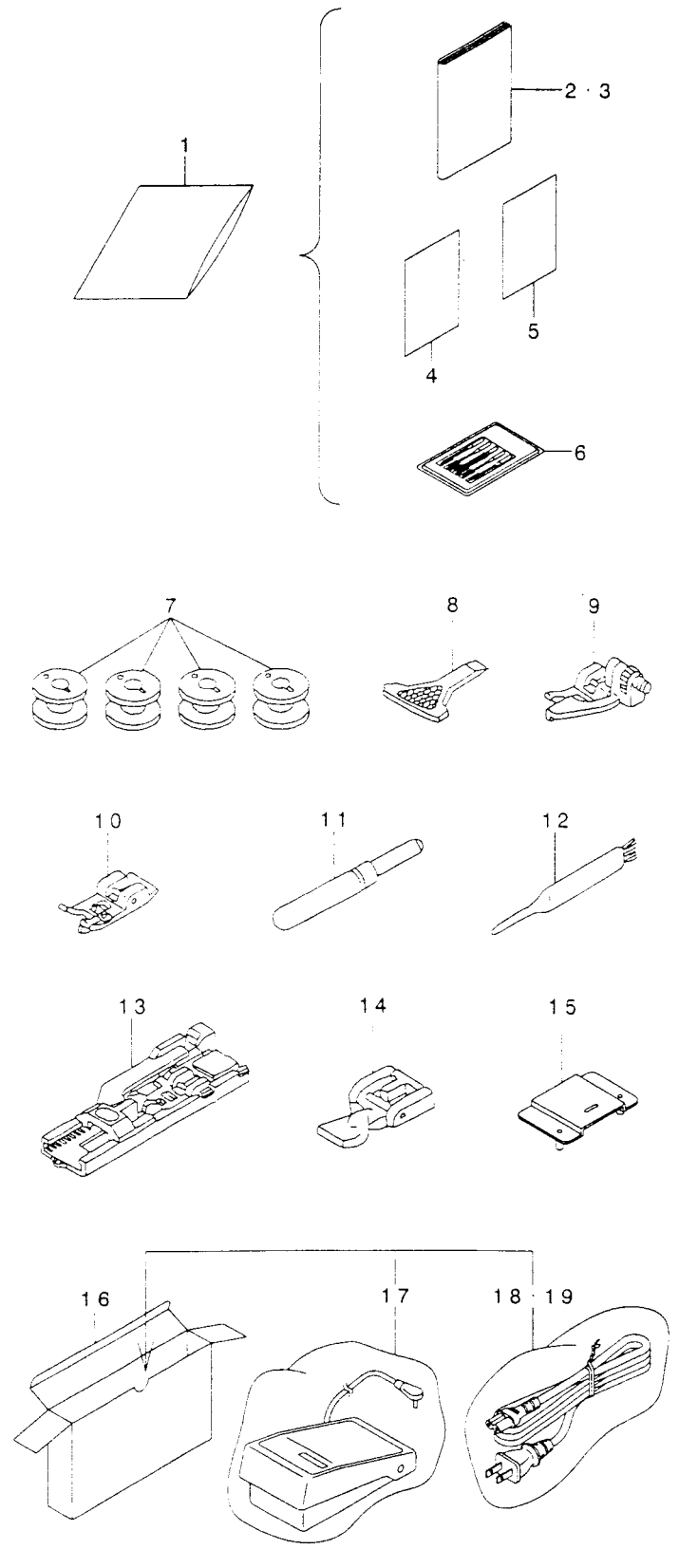


Ref. No	Note	Part No	Part Description	Amt. req.
1		386902	Power SW mount. base (asm.) (for 120V)	1
2		386901	Power SW mount. base (asm.) (for 230V)	1
3		386727	Power SW mount. base (for 120V)	(1)
4		386900	Power SW mount. base (for 230V)	(1)
5		386903	Power SW cover (for 120V)	(1)
6		386904	Power SW cover (for 230V)	(1)
7		386733	Inlet box	(1)
8		385315	Inlet box cover	(1)
9		386890	Speed controller receptacle (asm.) (for 120V)	(1)
10		386889	Speed controller receptacle (asm.) (for 230V)	(1)
11		386589	Nut (only 230V)	(1)
12		385082	Power SW (asm.)	(1)
13		386726	Power cord inlet (asm.) (for 120V)	(1)
14		385309	Power cord inlet (asm.) (for 230V)	(1)
15		283693	Screw	(2)
16		283491	Screw	(1)
17		283355	Band	(1)
18		283522	Screw	(3)
19		283491	Screw	2
20		386912	Motor (asm.) B (for 120V)	1
21		386911	Motor (asm.) B (for 230V)	1
22	*	386909	Motor (asm.) A (for 120V)	(1)
23	*	386910	Motor (asm.) A (for 230V)	(1)
24	*	385320	Motor shaft pulley	(1)
25	*	385321	Motor shaft pulley flange	(1)
26	*	386913	Motor bracket	(1)
27	*	386915	Lock nut	(1)
28		283374	Motor pulse detector circuit board mounting base	(1)
29		283375	Shielding plate	(1)
30		386914	Motor pulse detector circuit board (asm.)	(1)
31	*	283665	Motor insulator ring	(2)
32	*	283666	Motor insulating bushing	(2)
33		283473	Screw	(1)
34		283522	Screw	(1)
35		283451	Nut	(4)
36		283697	Washer	(2)
37		283690	Nut (insulation) (only 230V)	(1)
38	*	386488	Pulley pin	(1)
39		283667	Motor circuit board insulating sheet (only 230V)	(1)
40		386922	Screw	2
41		385300	Electrical component box	1
42		386895	Power circuit board lead wire (asm.) (for 120V)	1
43		386894	Power circuit board lead wire (asm.) (for 230V)	1
44		386725	Power circuit board (asm.) (for 120V)	1
45		386655	Power circuit board (asm.) (for 230V)	1
46		283434	Fuse (3A) (for 120V)	(1)
47		283689	Fuse (3.15A) (for 230V)	(1)
48		283491	Screw	2
49		385301	Electrical component box cover	1
50		386734	Power transformer (asm.) (for 120V)	1
51		386656	Power transformer (asm.) (for 230V)	1
52		386883	Metal fitting	1
53		283502	Screw	2

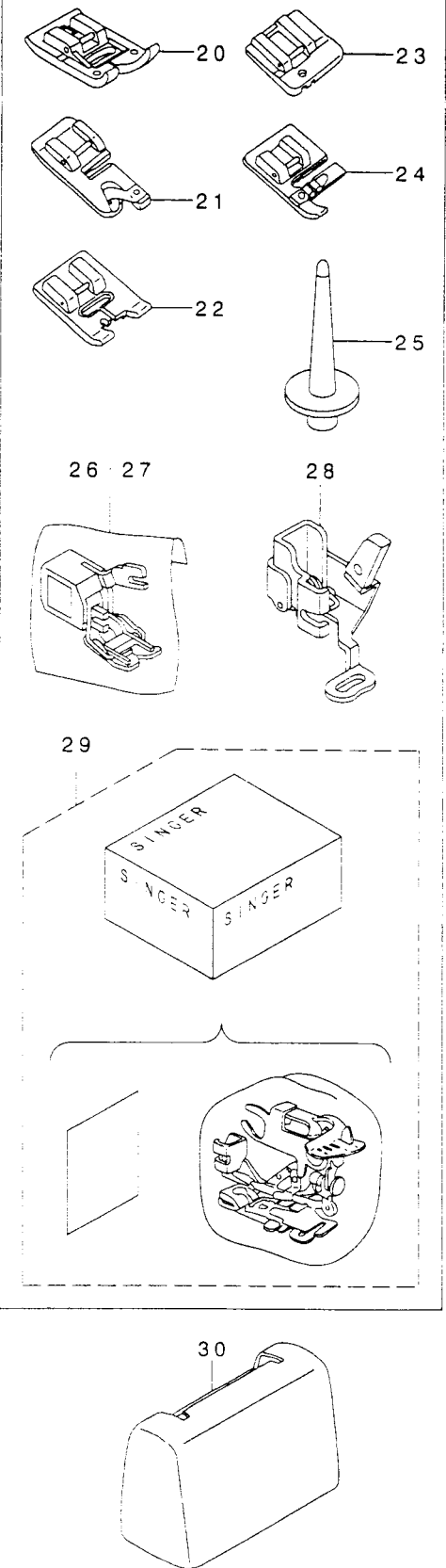
Please refer to Remarks of contents for parts marked with (*)

12. ACCESSORIES PARTS, OPTIONAL PARTS COMPONENTS

ACCESSORIES PARTS



OPTIONAL PARTS



Ref No	Note	Part No	Part Description	Amt req
1		386472	Vinyl bag	1
2		386801	Instruction manual (USA,CAN,FRN,U.K.,TAIWAN,SPN,TUR-- ----GRE,SING,HK,AUSTL,BEL)	1
3		386802	Instruction manual (GER,HOL,ITA,AUSTR)	1
4		386790	Registration card (only USA)	1
5		386474	Warranty card (only USA)	1
6	*	283407	Needle (Accessory)	1
7		386466	Bobbin	4
8		283394	Screwdriver	1
9		385099	Blind stitch presser foot (asm.)	1
10		386919	Overedging presser foot (asm.)	1
11		385098	Seam ripper	1
12		283403	Brush	1
13		386918	Buttonholing presser foot (asm.)	1
14		283399	Zipper sewing presser foot (asm.)	1
15		385101	Embroidery needle plate (asm.)	1
16		283688	Speed controller box (only 230V)	1
17		385091	Speed controller (asm.)	1
18		386717	Electric power cord (asm.) for 120V	1
19		283545	Electric power cord (asm.) for 230V	1
20		283684	Teflon presser foot (asm.)	1
21		283393	Rolled hemming presser foot (asm.)	1
22		385356	Manual button holing presser foot (asm.)	1
23		385357	Concealed zipper presser foot (asm.)	1
24		385358	Cording presser foot (asm.)	1
25		283679	Spool pin	1
26		386920	Even feed foot (asm.) (for DSN II)	1
27		386925	Even feed foot (asm.) (for Futura4000N)	1
28		386908	Darning foot (asm.)	1
29		283571	Ruffler presser foot package (asm.)	1
30		385462	Case (USA optional part)	1

Please refer to Remarks of contents for parts marked with (*)

